



Technology Tools at Finch Elementary

Flip Video Camera

Mary Carole Strother
Library Media Specialist

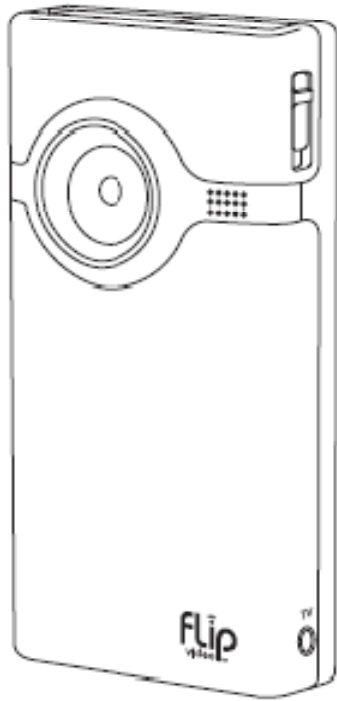


Flip Video Camcorder



Classroom Video Made Easy

flip
video™



mino

QUICKSTART GUIDE

- The Quick Start Guide will help you begin using the Flip Video Camcorder.
- For additional tips and answers to frequently asked questions visit the Flip Video web site:
http://www.theflip.com/support_home.shtml
- From this web site you can also update your software. You will find updates under the support tab.

Get Started

Welcome to Flip Video Mino™

1 Press power button to turn on. Camcorder setup appears automatically when you first power on.



Setting Date

- Use + and - to adjust the current setting.
- Use < and > to select month/day/year.

Setting Time

- Use + and - to adjust the current setting.
- Use < and > to select hour/minute/AM/PM.

Turning Off Tones

- Use < and > to toggle the tones on and off.

To Return to Camcorder Setup Later

Starting with the camcorder OFF:

- 1 Press power button to turn on.
- 2 When Flip Video logo appears, press and hold record button until SET DATE appears.

Note: Camcorder is shipped with a partially charged battery.

The power button is located on the right hand side of the Flip Video Mino.

See figure 1.

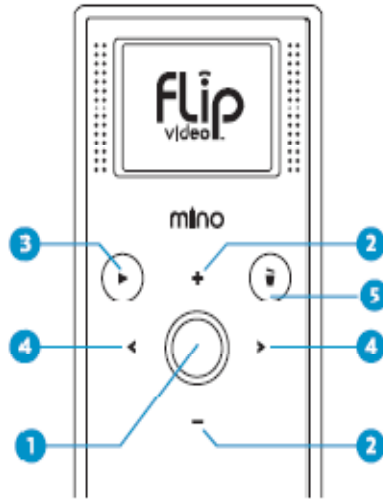
To help keep track of video clips be sure to set the date and time before using the Flip Video Mino for the first time.

Record, Play, Delete...

Record and Play

Touch-Sensitive Buttons

Gently touch lighted icons with your finger to activate the controls on the back panel.



Recording Videos

- 1 Press record button to start/stop. ●
- 2 Touch up/down buttons to zoom in/out. +-

Playing Videos

- 3 Touch play button to start/pause. ▶
 - 4 Touch left/right buttons to view previous/next. ◀▶
- Tip: Hold left/right during playback to rewind/fast-forward.*

Deleting Videos

- 5 Touch delete button. 🗑️ Select "Yes" to confirm.
- Tip: Delete button is locked when you first power on.
To unlock, press and hold delete button.*

The touch-sensitive buttons on the back panel make it easy to record, play and delete video.

To record: Push the center red button.

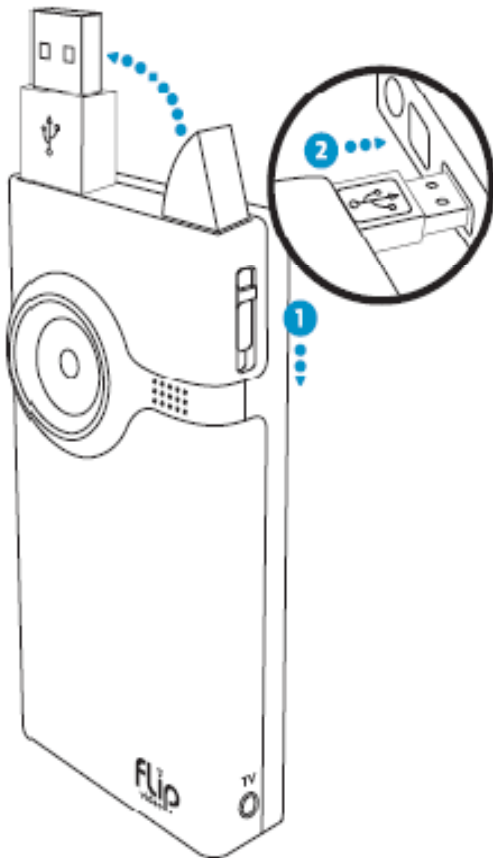
To zoom in/out: Use the + and – buttons.

To play: Push the play button to start/stop.

To delete: Touch the button shaped like a trash can.

Connect to Computer

- 1 Slide USB latch down.
USB arm flips up automatically.
- 2 Plug arm into USB port on computer.
- 3 Your camcorder will begin recharging and you can install FlipShare software on your computer.



Connect to your computer.

Slide the USB latch down and the USB arm flips out automatically.

The USB arm will fit into the USB port on your computer.

*Make sure the USB port is enabled on your computer!

•**Load the camera in the USB port with the camera side up.**

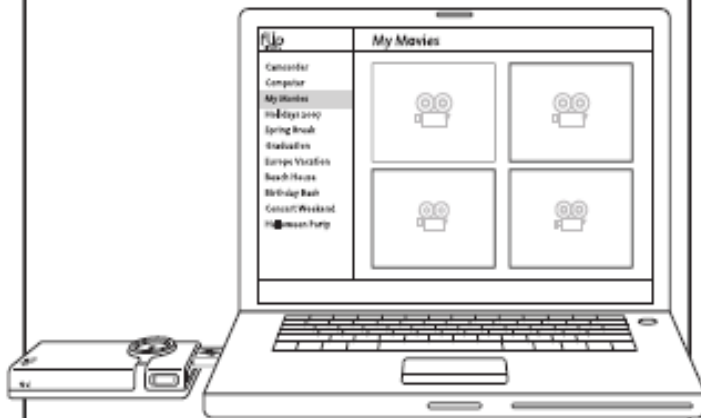
Save, Edit, and Share

flipshare.

FlipShare is built-in software that makes organizing, editing, and sharing video incredibly simple. When you plug in your camcorder, open FLIPVIDEO and launch Setup FlipShare (PC) or Start Flipshare (Mac)

FlipShare Features

- Browse, play, and delete your videos
- Save your videos to your computer
- Make custom movies with music
- Snap photos from your videos
- Share your videos online or by email
- Upload to MySpace, YouTube, and others



Click "Help" inside FlipShare for detailed instructions on all features.

FlipShare is the built-in software that allows for organizing, editing, and sharing video.

Once you plug in your Flip camcorder, open FLIPVIDEO and launch Setup FlipShare (PC).



Novell-delivered A

File Edit View Help

GroupWise Inte Expl

eBook Reader Install Finch C Pass S

Maps 101 MISD Applic

The Time Liner TLC St

1 Object(s) Selected

Novell

FLIPVIDEO (E:)

This disk or device contains more than one type of content.

What do you want Windows to do?

- View your Flip Camcorder Videos using the program provided on the device**
- Copy pictures to a folder on my computer using Microsoft Scanner and Camera Wizard
- View a slideshow of the images using Windows Picture and Fax Viewer
- Print the pictures using Photo Printing Wizard
- View/Download Images using Canon ZoomBrowser EX
- Play

OK Cancel

BrainPop Jr

Map Machine

Technology Help Request



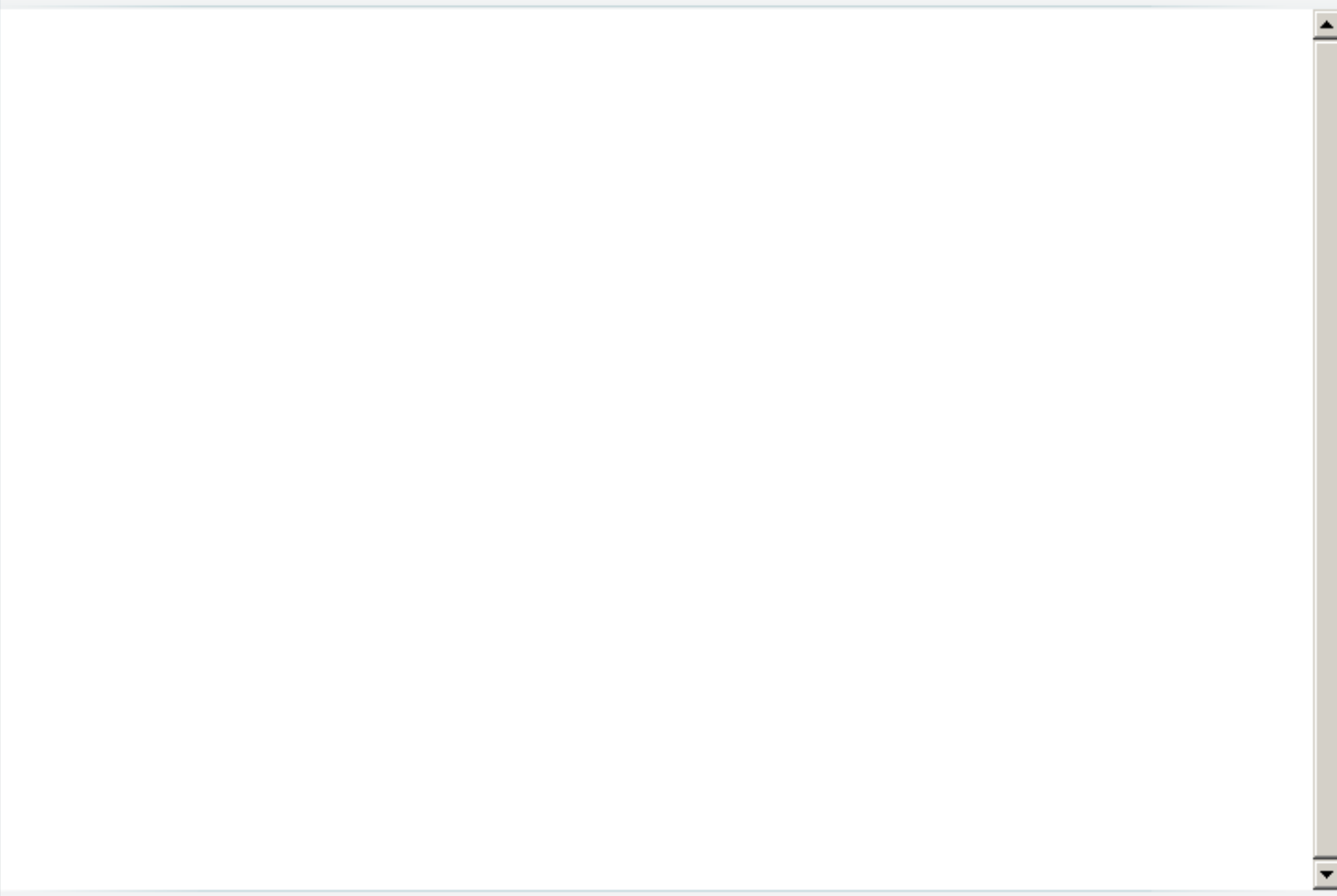


[Visit the Flip store](#)

- Camcorder** Do not unplug
- Computer**
When you save videos to your computer, they will appear in folders here
- My Movies**
Movies you create will be placed in this folder



Camcorder [0 videos]



Add new folder

Select: | 0 Selected

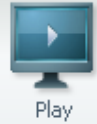


FlipShare is working **Do not unplug camcorder!**

Working...



Save to



Play



Email



Greeting



Online



Movie



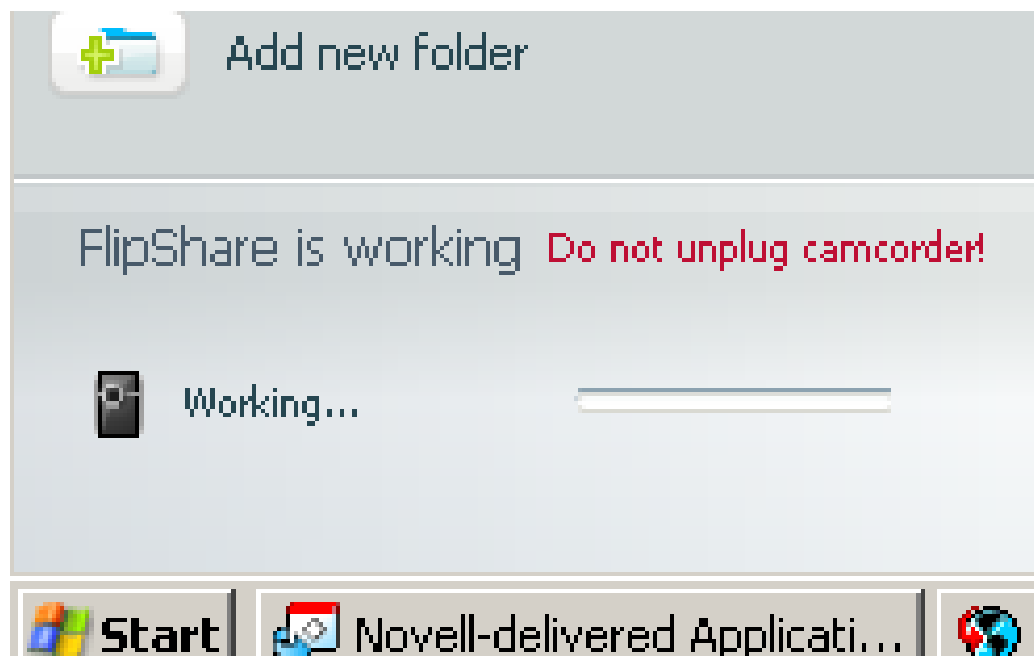
Snapshot



DVD

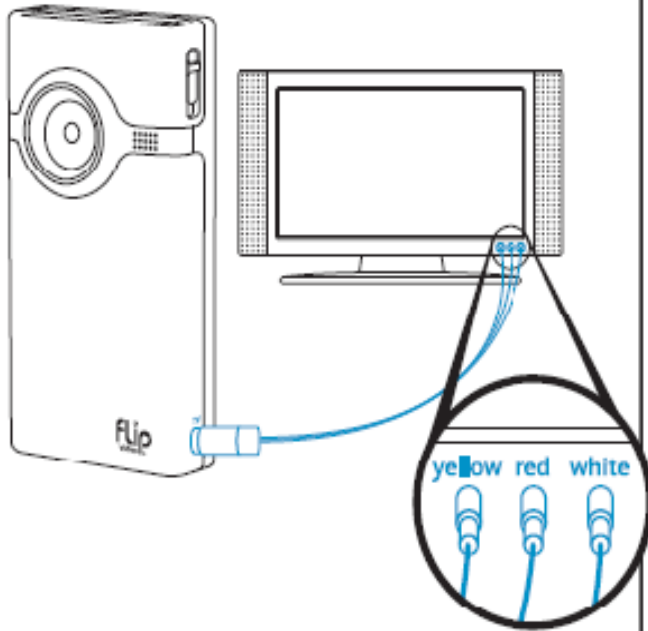
Share

Create



View On Television

- 1 Power off camcorder and television.
- 2 Connect camcorder to television with included TV connection cable.



- 3 Power on camcorder and television.
 - Camcorder screen turns off when connected to television.
- 4 Switch your television to VIDEO input.
 - See television manual for instructions.
- 5 Touch play button to start/pause playback. ▶

Connect to Television

Use TV connection cable to connect Flip camcorder to the television.

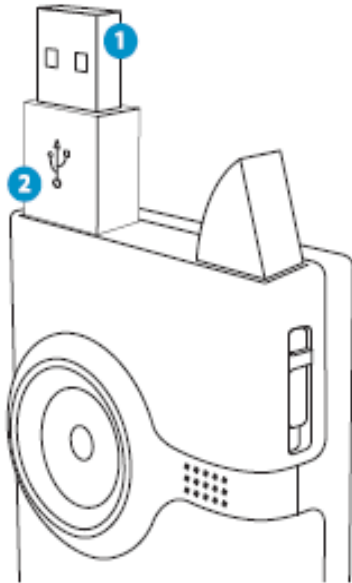
Note the three cables:
Yellow, Red and white.

The camcorder screen will turn off when connected to the television screen.

*Make sure to switch the television to VIDEO input!

Recharge Battery

- 1 Connect USB arm to computer's USB port.
- 2 Blinking light indicates charging.
The light stops blinking when charged.



- Mino uses a sealed, rechargeable battery.
- Recharging a discharged battery takes about 3 hours.
- The camcorder may remain connected to your computer after it is fully charged, but disconnecting it will help preserve the battery's lifespan and performance.
- The optional Flip Video Power Adapter can charge the battery in about 2 hours.

Note: Your computer must be powered on for Mino to charge.

Recharging the Flip

To recharge the camcorder connect The USB arm to the computer's USB Port.

A blinking light will indicate charging has started.

The light will stop blinking when the Battery is charged.

*Note: Your computer must be Powered on for the Flip to charge.

Flip Tips

- Before using the Flip camera set up the date and time because it saves your movies in folders on your computer by the date.
- Be sure to delete your videos off your camera once you save them to your computer.